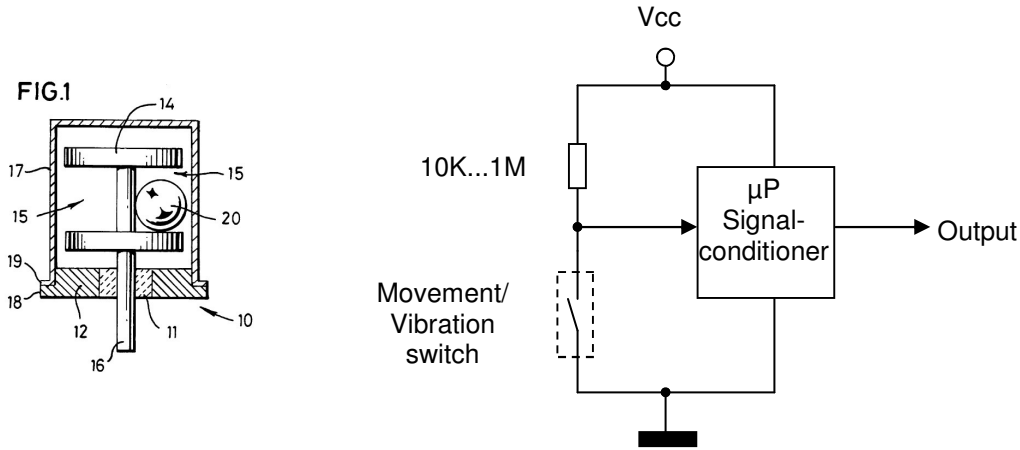
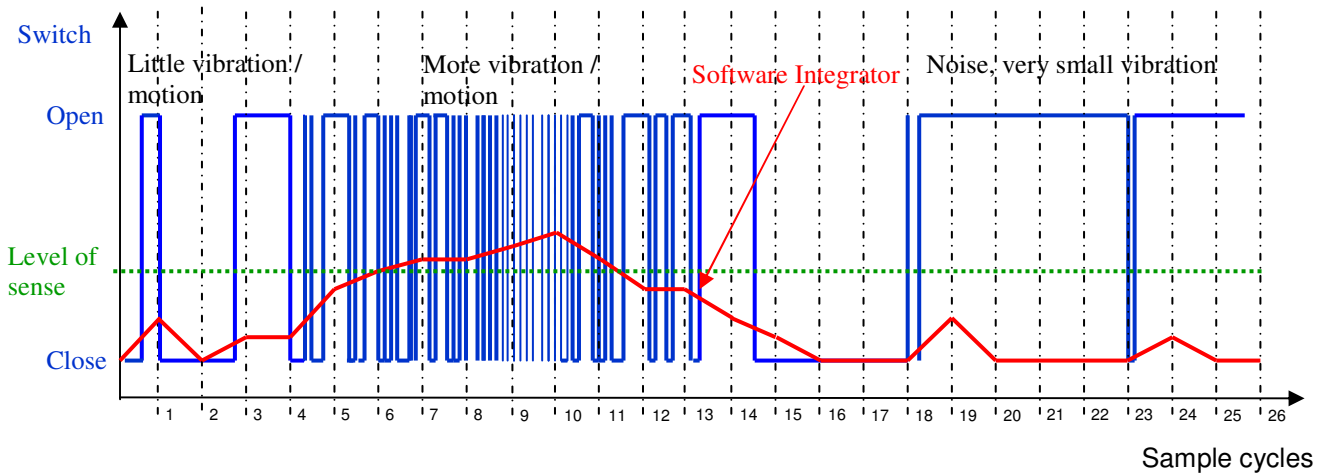


Movement / Vibration switches

Circuit



Signal processing



Input with a software integrator:

Each edge from the switch's signal need to increment a counter. This counter needs to decrement after a fixed interval. This ensures that after a period without motion of vibration, the counter decays back to zero.

Output:

With a certain activity of motion or vibration, the counter's value will exceed a certain level of sense, defined by the user. If the level of sense is not reached, there is not enough motion of vibration.